

高清球形网络摄像机  
Speed Dome Camera

**KEDACOM**

快速安装指南

Quick Start Guide



## 一 前言

感谢您购买我司产品，如对本公司产品有疑问或需要，请随时和我们联系。

此内容（手册）的目的是确保用户正确使用本产品，以避免危险或财产损失。在使用产品之前，请认真阅读此手册并妥善保存以备日后参考。如果用户因没有按照以下安全说明，致使设备不能正常使用或损坏等情况，我司恕不负责，感谢您的配合。

## 二 安全说明

### 1. 电源要求

- 请在安装使用设备过程中，严格遵守当地各项电气安全规定。
- 请使用满足安全电压要求的电源，在设备运行之前检查供电电源是否正确。
- 请在安装配线时装入易于使用的断电设备，以便必要时进行紧急断电。
- 请保护电源软线免受踩踏或紧压，特别是在插头、电源插座和从装置引出的接点处。
- 请在断电状态下连接网络、电源等线缆，严禁在设备上电的情况下连线。

### 2. 使用环境要求

- 请勿将摄像机对准强光（如灯光照明、太阳光等处）聚焦，否则容易引起过亮或漏光现象（这并非摄像机故障）也将影响摄像机寿命。
- 请在允许的湿度和温度范围内运输、使用和存储设备。
- 请勿将设备置于潮湿、多尘、极热、极冷、强电磁辐射或照明条件不稳定等场所。
- 请勿让任何液体流入设备，以免内部元件受损。
- 请勿阻挡设备附近的通风口，以免热量积蓄。
- 请在运送设备时，重新以出厂时的包装进行包装，或用同等品质的材质包装。
- 请勿在运输、存储及安装过程中重压、剧烈震动、浸泡设备。
- 请勿安装在不牢固的支架、墙面、或屋顶上，否则会导致人机受损。

工作环境	
供电要求	AC 24V±10%/DC 48V±10%，50Hz，4A
环境要求	防雷、防浪涌、防突波
海拔高度	2Km
工作温度	-40°C~70°C
工作湿度	10%~95%（无凝结）

### 3. 日常维护与保养

- 请勿直接触碰设备发热部件，以免烫伤。
- 镜头玻璃沾染灰尘或油脂时，用棉布或镜头清洁布擦拭。若遇污垢难以清除，蘸上少量镜片清洁剂，自镜头中心向外旋转轻轻擦拭，直到干净为止。禁止使用有机溶剂（苯、酒精等）对镜头玻璃和护罩前脸进行除尘、清洁。
- 请不要以任何方式拆卸或修改产品（对未经认可的修改或维修导致的问题，本公司不承担任何责任）。
- 如果设备工作不正常，请联系经销商或最近的服务中心。

### 4. 特别声明

- 本手册中的图示仅供参考，产品请以实物为准。
- 我们尽最大努力来保证本手册信息的正确性，如因升级等原因发生信息修改，恕不另行通知。本手册能作为多个型号产品的使用指导，但不一一列举每个产品的使用情况，请您根据实际产品自行对照。
- 本产品使用IPCSearch激活后方能使用（IPCSearch可在官网下载，下载链接<https://www.kedacom.com/cn/softtools/index.jhtml>），激活时请填写有效邮箱，方便找回密码。强烈建议您将密码设置为强密码：由数字、大/小写字母或特殊符号中两种或两种以上类型组合而成，且密码长度满足8-16位。请您定期更改用户名的密码，建议每3个月更新一次密码。如果设备在较高安全风险的环境中使用，建议每月或每周更新一次。请妥善保管好您的用户名与密码。
- 如需获取最新文档，请至官网下载，官网地址[www.kedacom.com](http://www.kedacom.com)。

## 5. 安全警告

### 提示

 激光打开时，请不要近距离直视激光窗口，以免造成眼睛损伤，甚至致盲。

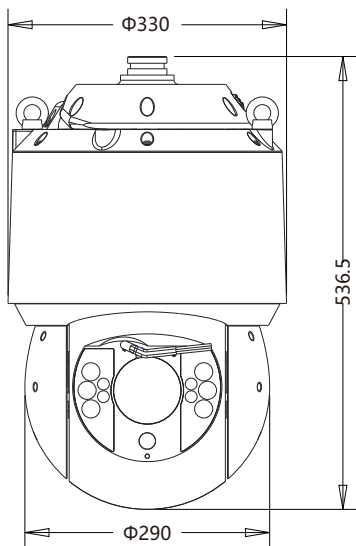
### 标识



设备正常工作时，请不要近距离直视激光窗口

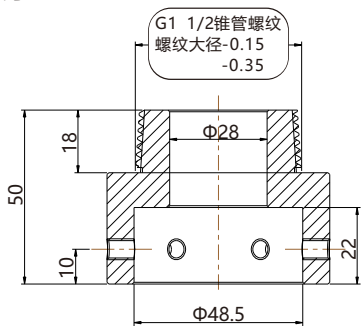


### 三 设备外观 外观尺寸

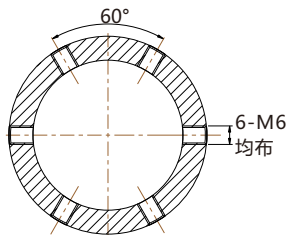


单位: mm  
净重: 18.5Kg

## 转接环尺寸



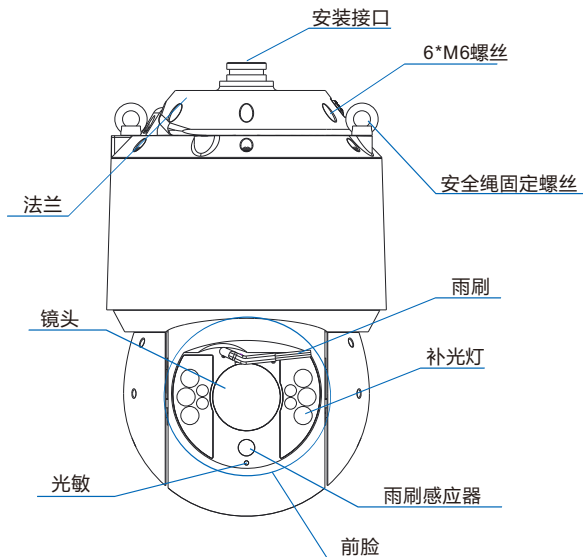
转接环剖面图



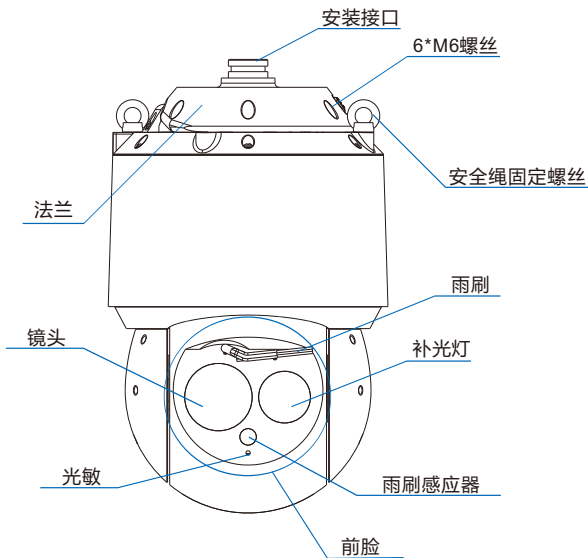
转接环仰视图

单位: mm

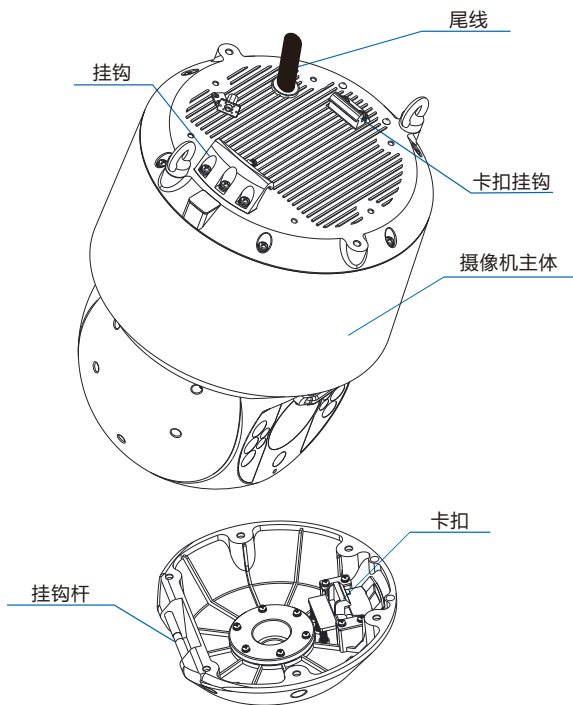
## 部件说明



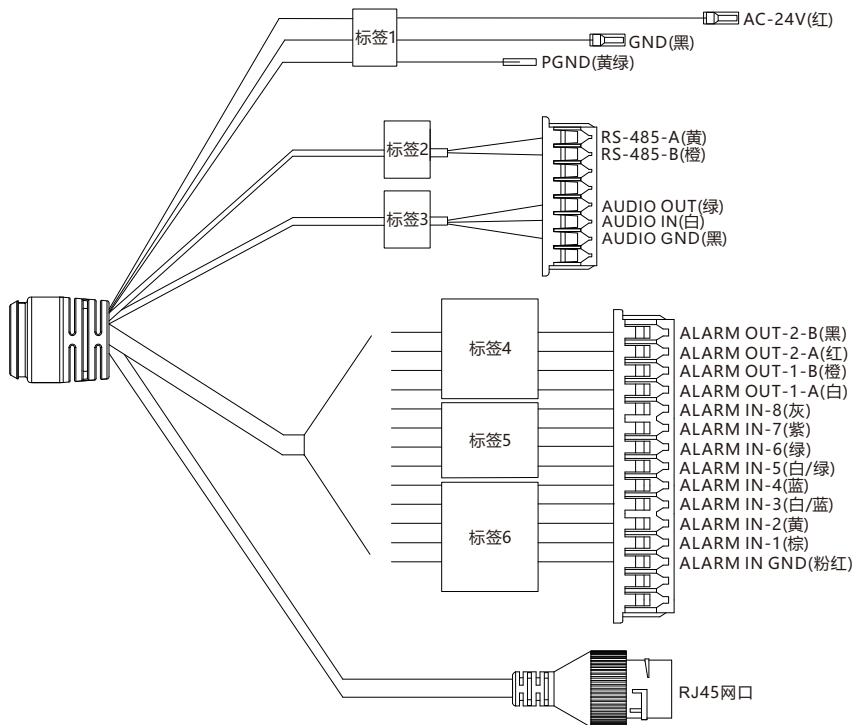




**【说明】**IPC489系列球机分为红外款、白光款和激光款，前脸部位的镜头与补光灯，具体以实际产品为准。本手册安装图示以红外款为例。



## 尾线说明



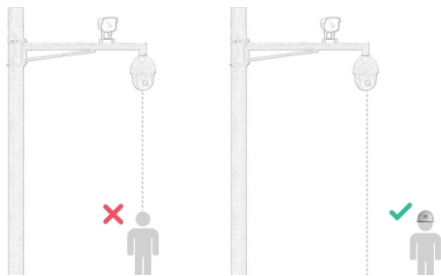
标签	颜色	说明	组别	线序
AC-24V	红	电源, 连接AC24V电源	1	-
PGND	黄绿	保护接地		-
GND	黑	电源接地		-
RS-485-A	黄	RS485串口, 与外接设备交互控制, 如控制第三方设备	2	1
RS-485-B	橙			2
AUDIO OUT	绿	音频输出, 输出音频信号, 连接音箱等设备	3	5
AUDIO IN	白	音频输入, 输入音频信号, 连接拾音器等设备		6
AUDIO GND	黑	音频接地		7
ALARM OUT-2-B	黑	告警输出, 输出告警信号, 端子不分正负。连接报警灯等设备。	6	15
ALARM OUT-2-A	红			14
ALARM OUT-1-B	橙			13
ALARM OUT-1-A	白			12
ALARM IN-8	灰	告警输入, 输入告警信号, 连接声控开关等设备	5	11
ALARM IN-7	紫			10
ALARM IN-6	绿			9
ALARM IN-5	白/绿			8
ALARM IN-4	蓝		4	7
ALARM IN-3	白/蓝			6
ALARM IN-2	黄			5
ALARM IN-1	棕			4
ALARM IN GND	粉红	告警输入接地		3
RJ45网口	-	RJ45网口, 连接网络设备, 支持10/100自适应	-	-

**【说明】** ALARM IN-N与ALARM IN GND需成对使用。

## 四 设备安装

### 1. 安装注意事项

- 确认安装地点有容纳本产品及其安装结构件的足够空间。
- 请确保安装摄像机的墙面、横杆等的承受能力必须能支撑摄像机及其安装结构件重量的8倍（设备重量：18.5kg）。支架刚性足够，能保证设备在大风情况下不晃动。
- 镜头附近不允许出现遮挡物。
- 用户自选支架安装推荐使用接口为内螺纹的支架，同时须确保支架的防水性能。
- 没有限高通行的路段，建议外延摄像机的安装高度不低于5米，减少摄像机被碰擦风险。
- 防止设备掉落，安装摄像机时必须安装安全绳。
- 施工期间禁止人员在摄像机下方2米内活动，并佩戴好安全帽等防护装备。



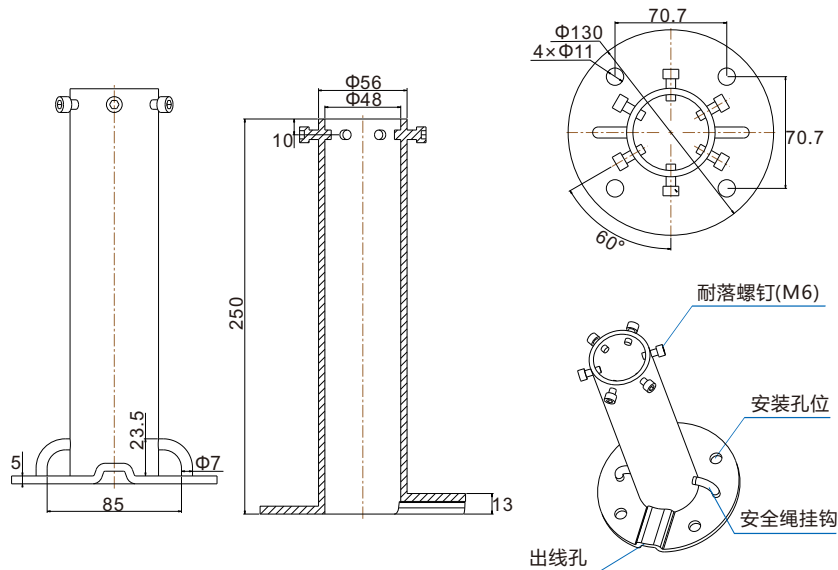
## 2. 安装方式

设备分为吊装、壁装和转接环安装。

【注意】支架为选配附件。

### 吊装

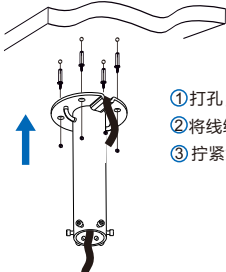
我司选配吊装支架尺寸：



单位：mm

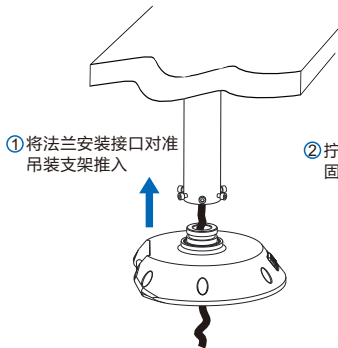
## • 安装步骤

- 1) 拧下6颗M6法兰螺钉，将法兰从摄像机主机上拆下；
- 2) 以吊装支架的安装孔位为模板，在墙壁上先画出安装孔位置，打出安装孔（孔深为60mm），并将膨胀螺栓（M8）埋在打好的孔内；
- 3) 将线缆通过出线孔从支架穿出，线缆请预留足够长度，以便连接球机内线缆；
- 4) 将吊装支架固定在墙壁上，拧紧六角螺母；

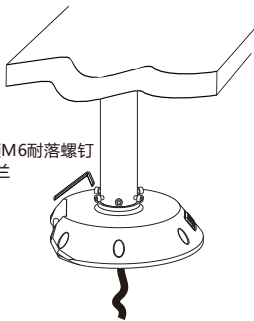


- ① 打孔，将膨胀螺钉埋入墙体
- ② 将线缆通过出线孔从支架穿出
- ③ 拧紧六角螺母，以固定支架

- 5) 将法兰安装接口对准吊装支架推入，拧紧吊装支架上的6颗M6耐落螺钉，以固定法兰；



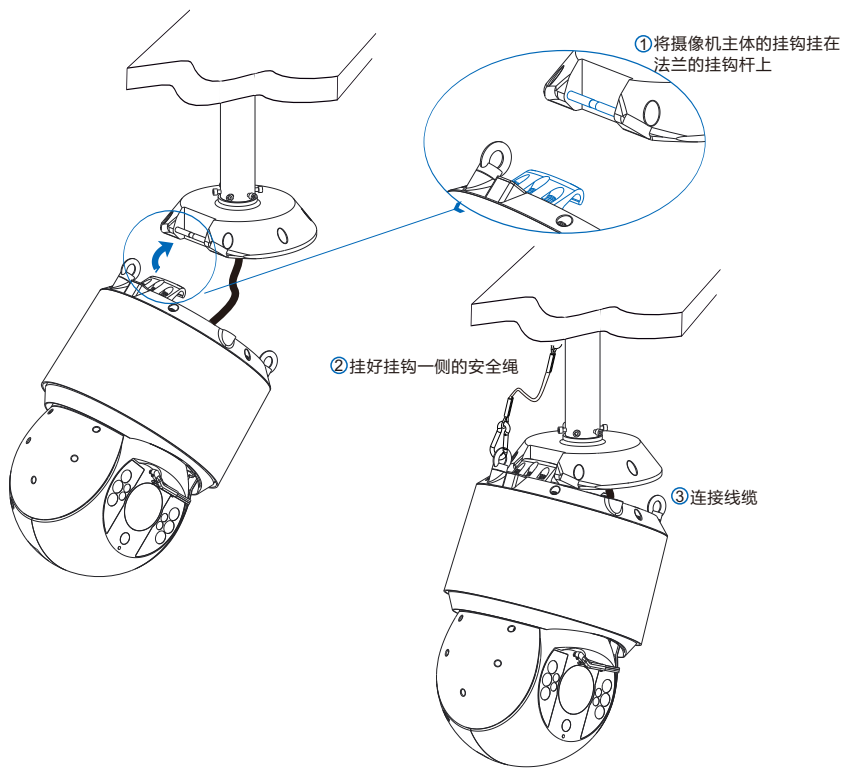
- ① 将法兰安装接口对准吊装支架推入



- ② 拧紧6颗M6耐落螺钉固定法兰

**【注意】** 为避免球机产生晃动，请务必保证拧紧六颗耐落螺钉。

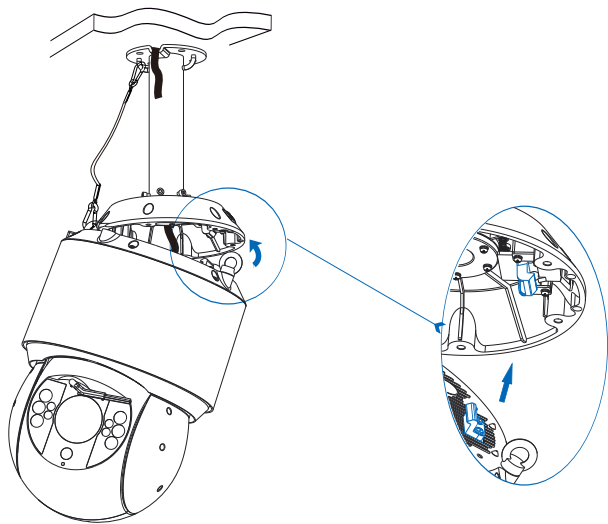
- 6) 将摄像机主体的挂钩挂在法兰挂钩杆上，将安全绳一端挂在该侧的安全绳螺丝上，另一端挂在吊装支架的安全绳挂钩上。连接线缆；



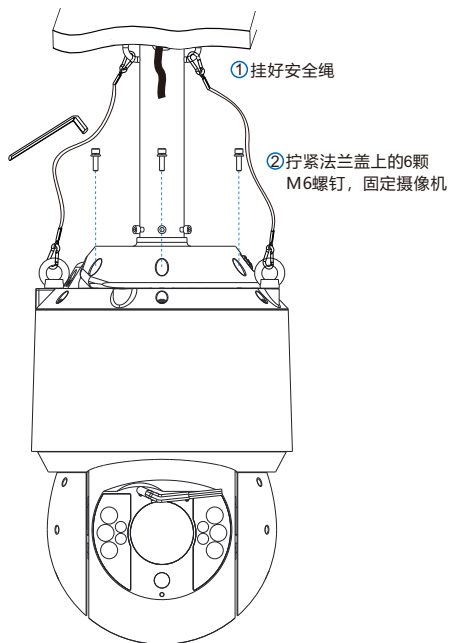
**【注意】** 尾线连接时，请务必做好防水处理。操作方法请参考附录。



7) 用力向上托举摄像机主体，使其与法兰卡扣锁扣在一起；



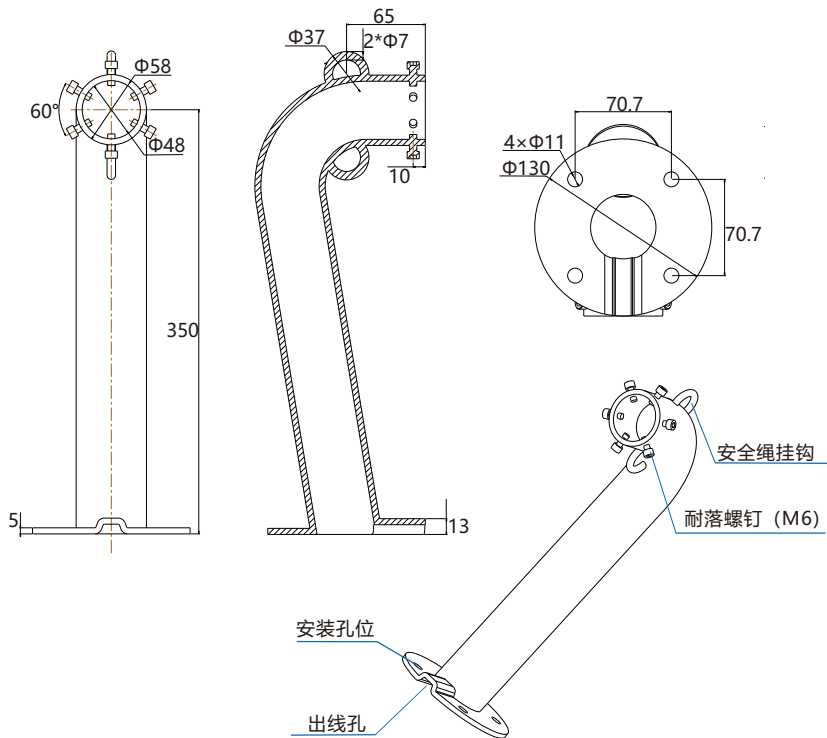
- 8) 将安全绳的一端挂在卡扣一侧安全绳固定螺丝上，另一端挂在支架安全绳挂钩上，拧紧法兰螺钉，固定摄像机；



- 9) 安装完成后，设备上电。

## 壁装

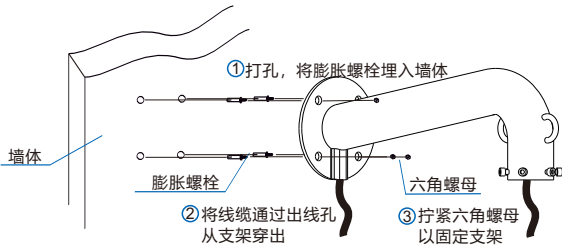
我司选配壁装支架尺寸:



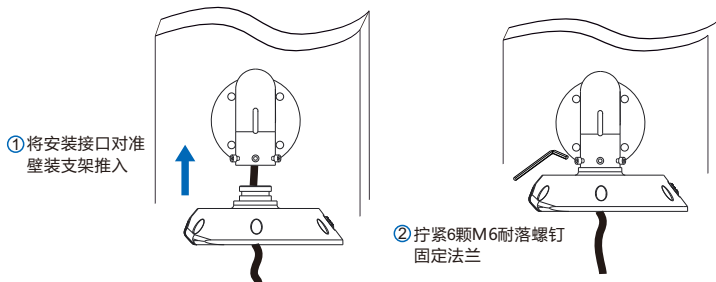
单位: mm

## • 安装步骤

- 1) 拧下6颗M6法兰螺钉，将法兰从摄像机主机上拆下；
- 2) 以壁装支架的安装孔位为模板，在墙壁上先画出安装孔位置，打出安装孔（孔深为60mm），并将膨胀螺栓（M8）埋在打好的孔内；
- 3) 将线缆通过出线孔从支架穿出，线缆请预留足够长度，以便连接球机内线缆；
- 4) 将壁装支架固定在墙壁上，拧紧六角螺母；

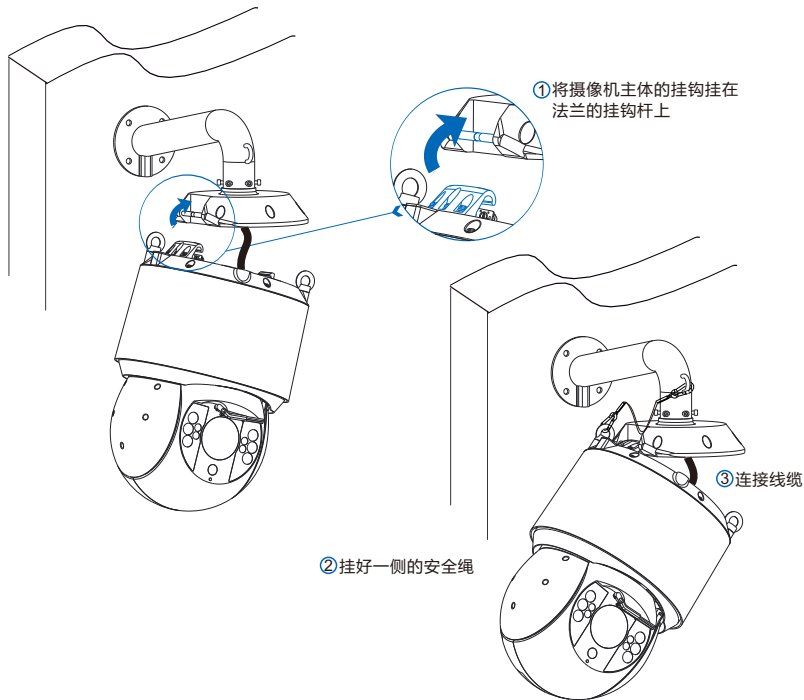


- 5) 将安装接口对准壁装支架推入，拧紧壁装支架上的6颗M6耐落螺钉，以固定法兰；



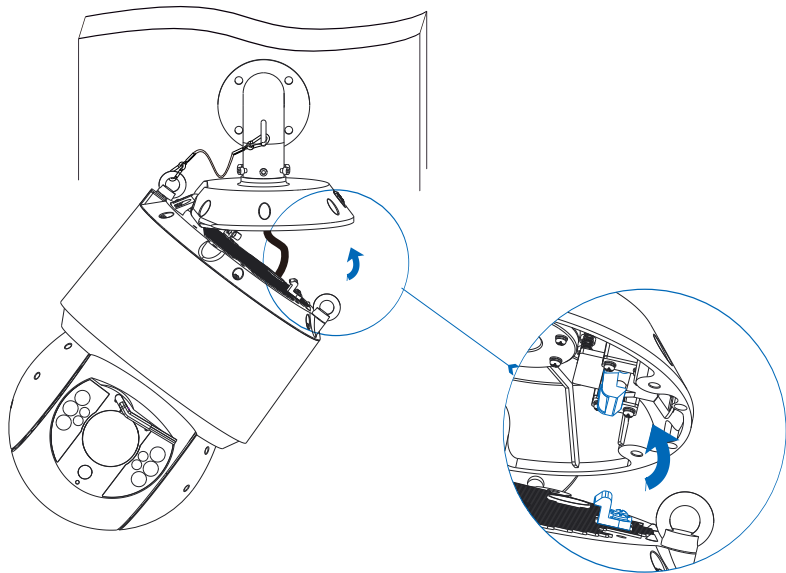
**【注意】** 为避免球机产生晃动，请务必保证拧紧六颗耐落螺钉。

- 6) 将摄像机主体的挂钩挂在法兰挂钩杆上，将安全绳一端挂在该侧的安全绳螺丝上，另一端挂在吊装支架的安全绳挂钩上。连接线缆；

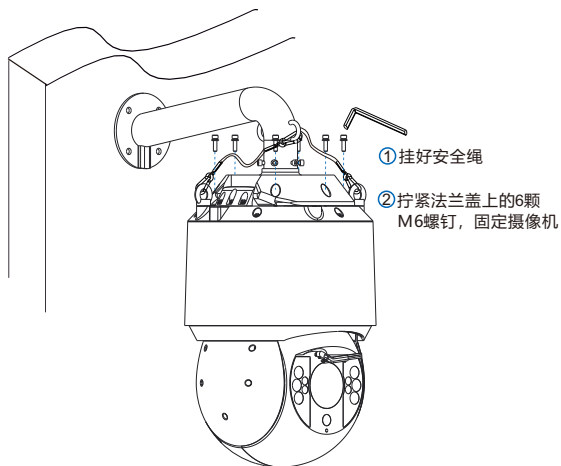


**【注意】**尾线连接时，请务必做好防水处理。操作方法请参考附录。

7) 用力向上托举摄像机主体，使其与法兰卡扣锁扣在一起；



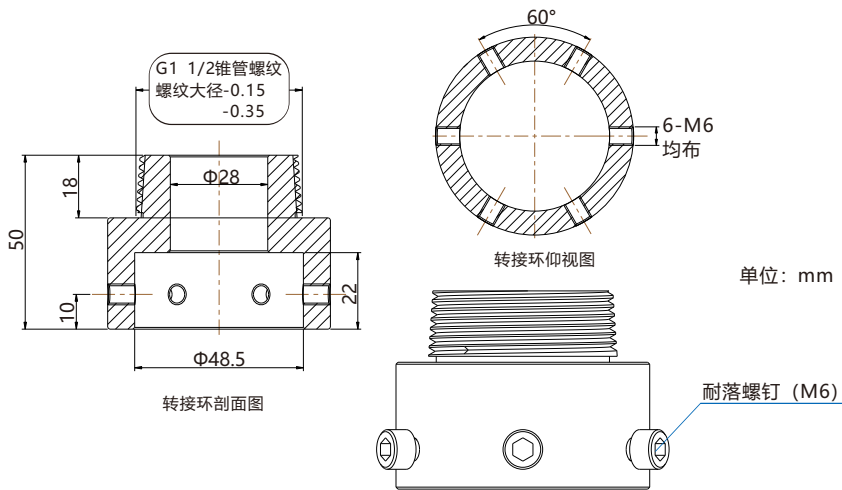
- 8) 将安全绳的一端挂在卡扣一侧安全绳固定螺丝上，另一端挂在支架安全绳挂钩上，拧紧法兰螺钉，固定摄像机；



- 9) 安装完成后，设备上电。

## 转接环安装

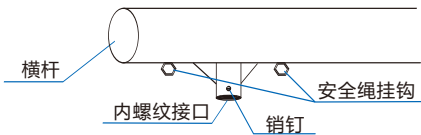
### 转接环尺寸



转接环适用于用户自定义支架为内螺纹时使用, 以下安装步骤以横杆为例。

#### • 安装步骤

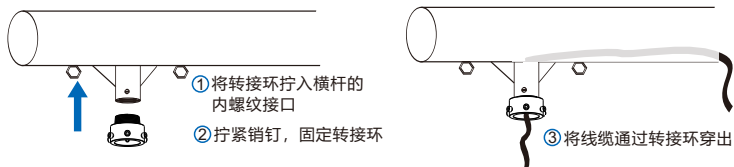
1) 准备已经焊接好内螺纹接口的横杆, 距内螺纹接口8~10mm处须安装销钉;



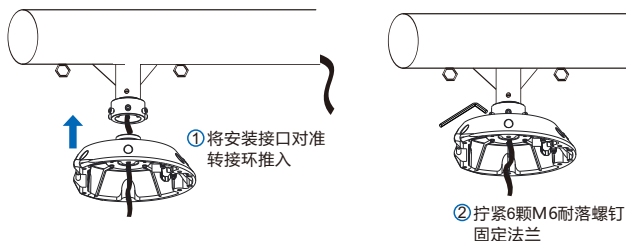
**【注意】** 用户自制的支架务必要有销钉和安全绳挂钩。



- 2) 将转接环拧入横杆上的内螺纹接口并拧紧。拧紧销钉，以固定转接环；
- 3) 将线缆通过转接环穿出，线缆请预留足够长度，以便连接球机内线缆；

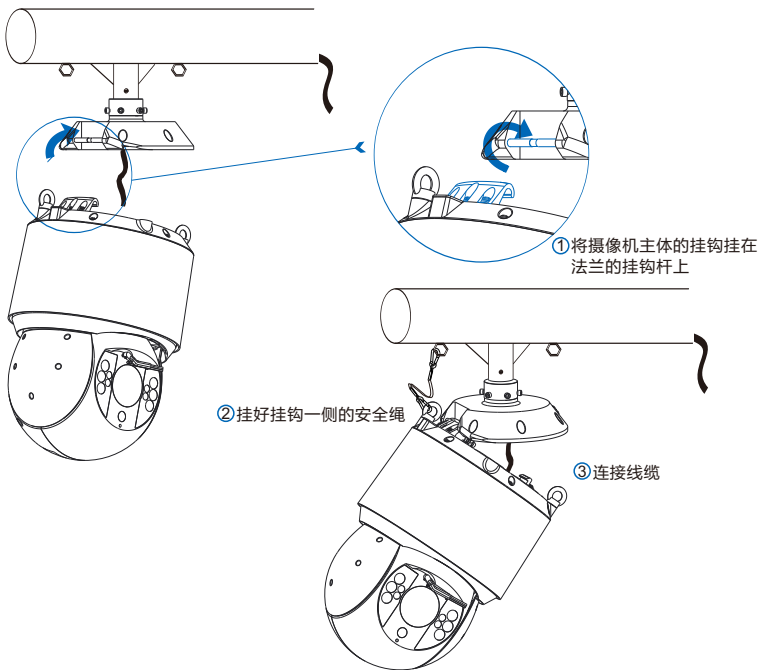


- 4) 拧下6颗M6法兰螺钉，将法兰从摄像机主机上拆下；
- 5) 将安装接口对准转接环推入，拧紧转接环上的6颗M6耐落螺钉，以固定法兰；



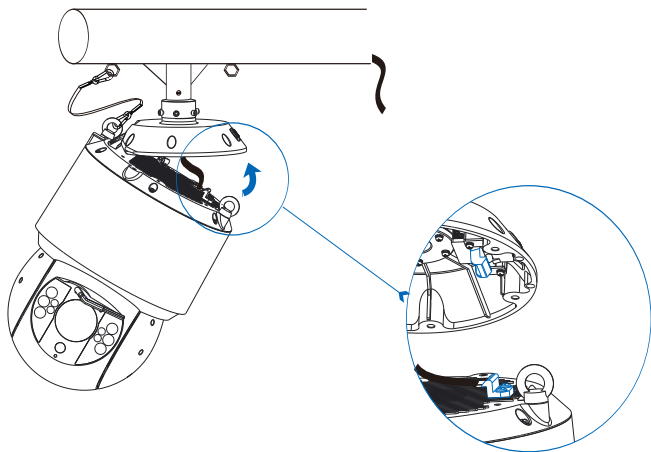
**【注意】** 为避免球机产生晃动，请务必保证拧紧六颗耐落螺钉。

- 6) 将摄像机主体的挂钩挂在法兰挂钩杆上，将安全绳一端挂在该侧的安全绳螺丝上，另一端挂在横杆的安全绳挂钩上。连接线缆；

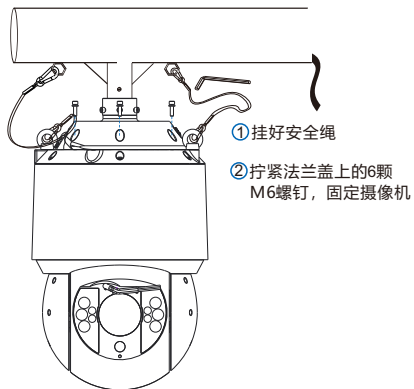


**【注意】** 尾线连接时，请务必做好防水处理。操作方法请参考附录。

7) 用力向上托举摄像机主体，使其与法兰卡扣锁扣在一起；



- 8) 将安全绳的一端挂在卡扣一侧安全绳固定螺丝上，另一端挂在横杆安全绳挂钩上，拧紧法兰螺钉，固定摄像机；



- 9) 安装完成后，设备上电。

## 五 登录客户端

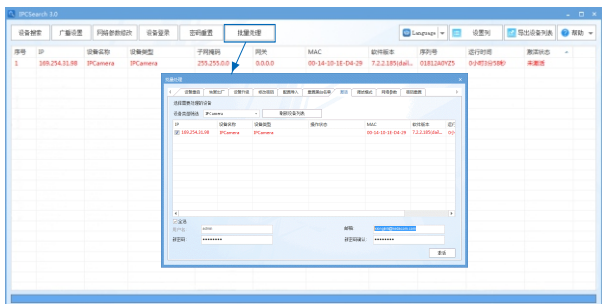
### 1. 最低配置和系统环境

- 处理器：酷睿®i5-7500及以上
- 显卡：HD630核显及以上
- RAM内存：8GB及以上
- 操作系统：Windows7操作系统或更高版本
- 浏览器：推荐使用IE内核浏览器，使用其他内核浏览器会影响客户端部分功能的使用
- WEB插件：硬解插件
- DirectX：9.0c

### 2. 设备激活

第一次使用时请安装运行IPCSearch，在IPCSearch中将显示设备的IP地址、网关等信息。若IPC设备所接入的网络有DHCP服务，DHCP服务器将自动给IPC设备分配IP地址。

- 批量激活：在IPCSearch中选中设备，点击批量处理，在弹出的界面中设置admin用户的密码和找回密码时所需的邮箱，点击激活，激活设备。待设备重启。
- 单个激活：在IPCSearch中选择设备，单击右键，选择设备激活.填写用户名、密码、找回密码时所需的邮箱。点击激活，激活设备。待设备重启。
- Web客户端激活：将PC机IP地址与设备IP地址设为同一网段，进入Web端登录界面。可在该界面设置管理员和找回密码所需的邮箱，点击激活，激活设备。





### 3. 修改设备IP

点击修改网络参数，在弹出的界面中配置网络参数。静态分配IP地址时，请选择自定义地址，填写以太网参数。修改参数配置，需要填写管理员用户用户名（admin）及激活设备时设置的密码。完成IP配置后，设备将自动重启。

### 4. 登录设备

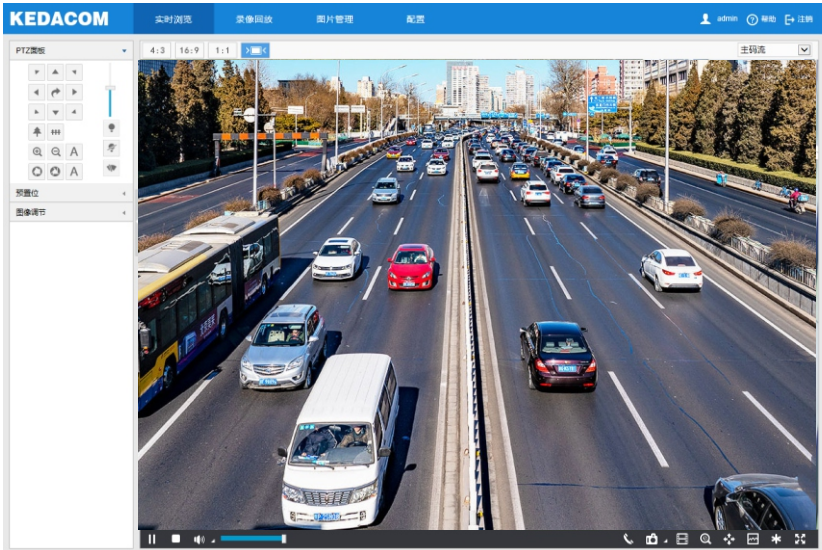
1) 在IPCSearch中双击设备或点击设备登录，输入用户名和密码，登录Web客户端；



2) 登录成功后，根据提示下载并安装视频插件；

3) 进入客户端后，便可直接浏览图像。

**【说明】**不同型号的设备，浏览界面略有差异，请以实际界面为准。更多客户端操作说明请参考客户端帮助文档。



## 附录一 尾线防水处理

将尾线连接好后，请务必根据以下步骤对尾线做防水处理。

下图仅为示意所用，实际请以连接为准。

- 1) 连接尾线，对所有连接电缆做好绝缘防护，用绝缘胶带整体缠绕。



- 2) 选择缠绕防水胶带起点。



- 3) 用防水胶带对尾线做好防水防护。





## 附录二 DC 48V线径与传输距离关系表

当线径大小一定, DC 48V电压损耗率低于10%时, 不同传输功率推荐的最大传输距离。(对于DC 48V直流供电设备, 其最大允许电压损耗率为10%。本表格的所用线缆均为铜线, 铜的电阻率为 $\rho = 0.0175\Omega \cdot \text{mm}^2/\text{m}$ )

距离m (feet) 功率W \ 线径 mm	0.8 (20AWG)	1.0(18AWG)	1.25(16AWG)	2.0(12AWG)
5	612 (2006)	969 (3179)	1536 (5039)	3905 (12812)
10	306 (1003)	484 (1590)	768 (2520)	1935 (6406)
15	204 (669)	323 (1060)	512 (1680)	1302 (4271)
20	153 (502)	242 (795)	384 (1260)	976 (3202)
25	122 (401)	194 (636)	307 (1008)	781 (2562)
30	102 (334)	162 (530)	256 (840)	651 (2135)
35	87 (287)	138 (454)	219 (720)	558 (1830)
40	76 (251)	121 (397)	192 (630)	488 (1601)
45	68 (223)	108 (353)	171 (560)	434 (1424)
50	61 (201)	97 (318)	154 (504)	391 (1281)
55	56 (182)	88 (289)	140 (458)	355 (1165)
60	51 (168)	81 (265)	128 (420)	325 (1068)
65	47 (154)	75 (245)	118 (388)	300 (986)
70	44 (143)	69 (227)	110 (360)	279 (915)
75	41 (134)	65 (212)	102 (336)	260 (854)
80	38 (125)	61 (199)	96 (315)	244 (801)
85	36 (118)	57 (187)	90 (296)	230 (754)
90	34 (111)	54 (177)	85 (280)	217 (712)
95	32 (106)	51 (167)	81 (265)	206 (674)
100	31 (100)	48 (159)	77 (252)	195 (641)

**【备注】** 线径要求适用于单根、实心、圆形的铜线, 多股绞线的电缆AWG 值是由所有线的总横截面积决定。

### 附录三 AC 24V线径与传输距离关系表

当线径大小一定, AC 24V电压损耗率低于10%时, 不同传输功率推荐的最大传输距离。(对于AC 24V交流供电设备, 其最大允许电压损耗率为10%。下面表格中所用线缆均为铜线, 铜的电阻率为  $\rho = 0.0175\Omega \cdot \text{mm}^2/\text{m}$ )

距离m (feet) 功率W \ 线径 mm	0.8 (20AWG)	1.0(18AWG)	1.25(16AWG)	2.0(12AWG)
5	122 (401)	194 (636)	307 (1008)	781 (2562)
10	61 (201)	97 (318)	154 (504)	391 (1281)
15	41 (134)	65 (212)	102 (336)	260 (854)
20	31 (100)	48 (159)	77 (252)	195 (641)
25	24 (80)	39 (127)	61 (202)	156 (512)
30	20 (67)	32 (106)	51 (168)	130 (427)
35	17 (57)	28 (91)	44 (144)	112 (366)
40	15 (50)	24 (79)	38 (126)	98 (320)
45	14 (45)	22 (71)	34 (112)	87 (285)
50	12 (40)	19 (64)	31 (101)	78 (256)
55	11 (36)	18 (58)	28 (92)	71 (233)
60	10 (33)	16 (53)	26 (84)	65 (214)
65	9 (31)	15 (49)	24 (78)	60 (197)
70	9 (29)	14 (45)	22 (72)	56 (183)
75	8 (27)	13 (42)	20 (67)	52 (171)
80	8 (25)	12 (40)	19 (63)	49 (160)
85	7 (23)	11 (37)	18 (59)	46 (151)
90	7 (22)	11 (35)	17 (56)	43 (142)
95	6 (21)	10 (33)	16 (53)	41 (135)
100	6 (20)	10 (32)	15 (50)	39 (128)

**【备注】** 线径要求适用于单根、实心、圆形的铜线, 多股绞线的电缆AWG 值是由所有线的总横截面积决定。

## 保修说明

本保修卡适用于您购买的本公司系列产品。

- 1.免费保修期一年（仅限中国大陆地区，中国大陆以外地区请参考英文说明）。
- 2.凡保修期内，由于本产品自身引起的故障，请与公司售后服务部联系。
- 3.保修时我们将使用您的保修卡信息，请认真填写。
- 4.以下情况，属于有偿保修范围：
  - 人为原因造成的设备故障
  - 因使用环境不符合本产品要求造成的故障
  - 因不可抗力造成的产品损坏
  - 无保修卡
  - 已过免费保修期

## 用户信息

用户名称：

详细地址：

传真：

电话：

邮箱：

邮编：

产品名称：

产品型号：

购买日期：

## I. Preface

Thank you for purchasing our product. If there are any questions, or requests, please do not hesitate to contact us.

The intention of writing this Guide is to ensure that user can use the product correctly to avoid danger or property loss. Please read this Guide carefully before using, and keep it properly for future reference. If the product cannot work normally or is damaged because the user does not follow the safety instructions, we shall not assume any responsibility. Your cooperation will be highly appreciated.

## II. Safety Instruction

### 1. Power Supply

- During installing and using the device, please follow local electrical safety regulations strictly.
- Please use power supply in the safe voltage range of our product. Make sure if the power supply is correct before running the device.
- Please install an easy-to-use breaker during installation and wiring in case it is necessary to make an emergency break.
- Please prevent the power cord from being trampled or pressed especially the plug, socket and the connecting part led out from the device.
- Please connect cables of power, alarm, audio and RS-485 with the power off. Hot-line wiring is not allowed.

### 2. Working Environment

- Do not focus the camera lens on strong light such as the sun or incandescent lamp; otherwise the strong light will cause overexposure or light leak (not camera malfunction), which may shorten camera lifetime.
- Please transport, use and store the device within defined humidity and temperature ranges.
- Do not expose it in damp, dusty, extremely hot or cold places or places with intense electromagnetic radiation or with unstable lighting.
- Keep the camera away from water or any liquid to avoid damage to internal components.
- To avoid heat accumulation, please do not block the ventilation around the device.
- While shipping the camera, pack it in the factory packing or use materials with equivalent quality.
- When shipping, storing and installing the device, try to prevent it from damages caused by pressure, violent vibration and shaking.
- Please do not install the device on unstable bracket, wall or roof; otherwise it may damage people and the device.

Working Environment	
Voltage	AC24V±10%/DC48V±10%, 50Hz, 4A
Condition	Lightning protection, Anti-surge
Altitude	2 km
Temperature	-40°C~+70°C
Humidity	10%~95% (non-condensing)

### 3. Daily Maintenance


- Do not touch the heat component of the device directly to avoid empyrosis.
- When the glass surface of the lens is contaminated by dust or grease, use cotton cloth or lens clean cloth to wipe it off. When it is hard to clean, dip some lens cleanser and wipe gently and rotate outward from the middle until it is clean. Never apply any organic solvent with ethanol or benzene to clean the lens and housing.
- Do not disassemble or repair the device in any way by yourself. We shall not assume any responsibility for problems caused by unauthorized operations.
- If the product does not work properly, please contact your dealer or the nearest service center.

### 4. Special Statement

- The product appearance is subject to the actual device and picture in this Guide is for reference only.
- Every effort has been made to ensure the accuracy and validity of this Guide. Any update of this Guide caused by version upgrade is subject to change without notice. This Guide is made for multiple models but due to limited space, it will not illustrate all models one by one. Please refer to it according to the actual products you are using.
- This device can be used after being activated through IPCSearch (download it from our website: <https://www.kedacom.com/cn/softtools/index.jhtml>). During activation please fill a valid email address for finding back the password. To ensure the safety of device on internet, it is strongly recommended that you set a strong password which is composed of at least 2 kinds of the following, digits, case-sensitive letters or specific symbols, and whose length ranges from 8 to 16 bits. Please modify the password periodically and once every 3 months is recommended. If the device is used in highly risky environment, suggest modifying the password monthly or weekly. Please keep your user name and password safe.
- For the latest files, please download from our website [www.kedacom.com](http://www.kedacom.com).

## 5. Warning

### Hint

 If laser is enabled, please do not face the laser window closely to prevent damage to or even blindness of the eyes.

### Signs

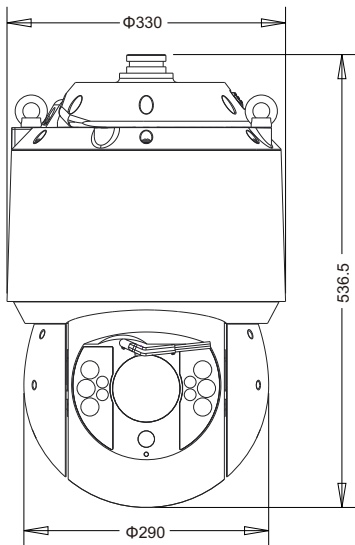


When the device is working normally, please do not face the laser window closely.



### III Appearance

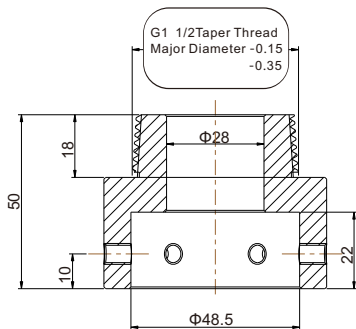
#### Dimensions of Camera:



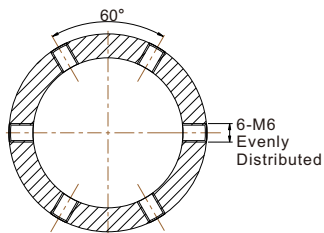
Unit: mm

Net weight: 18.5 KG

## Dimensions of Adaptor Ring:



Profile View

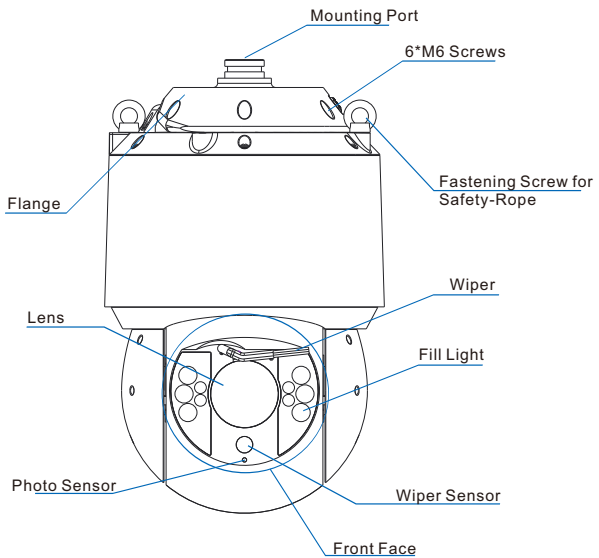


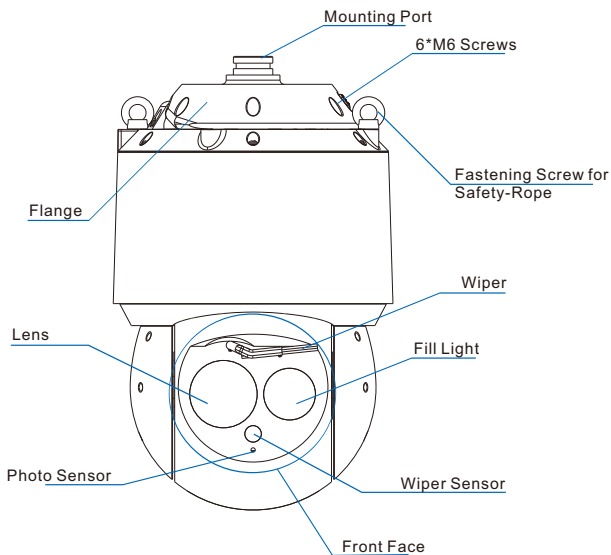
Bottom View

Unit: mm

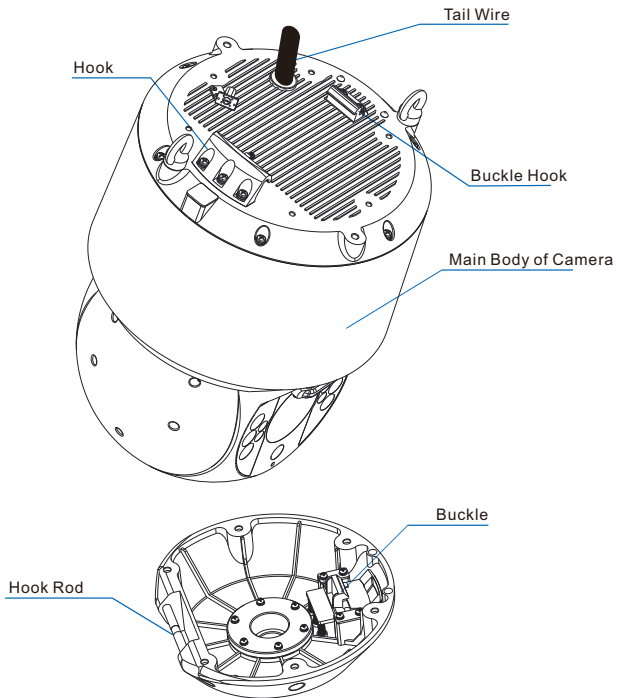


## Components

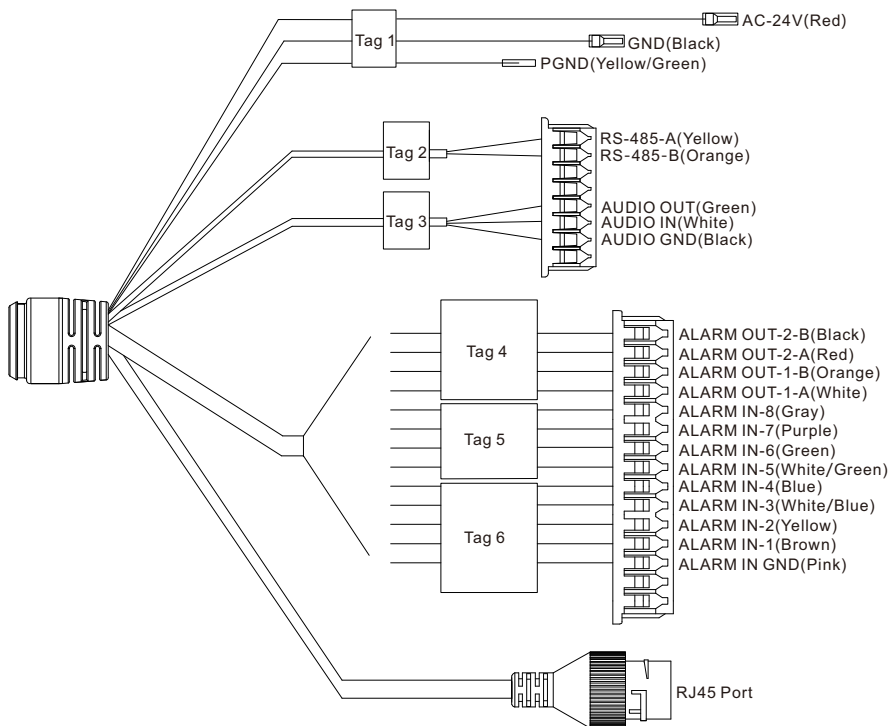




**[Note]:** There are IR, white-light and laser sub-models of the camera, whose lenses and fill lights on the front face are different. Please subject to the actual models. This manual will take the IR type as an example to introduce the installation steps.



## Tail Wire



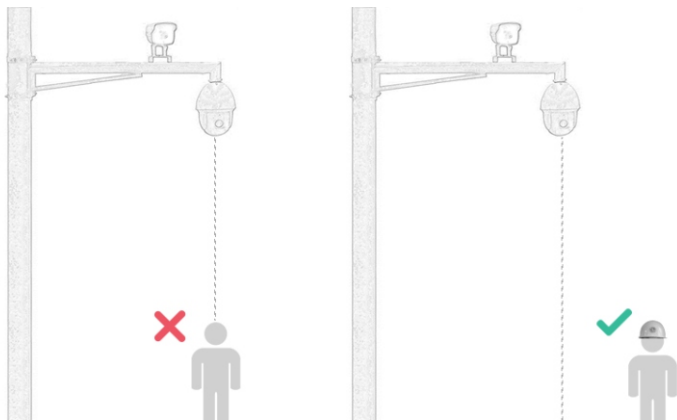
Tag	Color	Function	Group	No.
AC-24V	Red	Power supply, connect to AC24V	1	-
PGND	Yellow/Green	Protective grounding		-
GND	Black	Power grounding		-
RS-485-A	Yellow	RS-485 serial port, connect to external devices for control such as controlling a third-party device	2	1
RS-485-B	Orange			2
AUDIO OUT	Green	Audio output, output audio signal; connect to loudspeaker	3	5
AUDIO IN	White	Audio input, input audio signal; connect to sound pick-up		6
AUDIO GND	Black	Audio grounding		7
ALARM OUT-2-B	Black	Alarm output, output alarm signal, regardless of positive or negative poles; connect to alarm light	6	15
ALARM OUT-2-A	Red			14
ALARM OUT-1-B	Orange			13
ALARM OUT-1-A	White			12
ALARM IN-8	Gray	Alarm input, input alarm signal; connect to voice-operated switch and etc.	5	11
ALARM IN-7	Purple			10
ALARM IN-6	Green			9
ALARM IN-5	White/Green			8
ALARM IN-4	Blue		4	7
ALARM IN-3	White/Blue			6
ALARM IN-2	Yellow			5
ALARM IN-1	Brown			4
ALARM IN GND	Pink	Alarm input grounding port	-	3
RJ45 Port	-	RJ45 port, connect to network device, support adaptive	-	-

[Note] ALARM IN-N and ALARM IN GND should be used in pair.

## IV. Installation

### 1. Safety Instructions

- Make sure there is enough space for mounting the camera and its accessories.
- Make sure the wall or cross-bar can bear as heavy as 8 times of the total weight of the camera and the accessories (device weight: 18.5 kg). The bracket has enough rigidity to prevent the device from shaking in heavy wind.
- There should be no obstacles surrounding the lens.
- When user selects bracket of his own choice, suggest the one with internal thread connector and meanwhile ensure the waterproofness of the bracket.
- On roads without height limits, the suggested installation height of the camera should be higher than 5m so as to reduce friction to the camera.
- To prevent the device from dropping, the camera must be installed with a safety rope during installation.
- During installation, no man shall be allowed to move around in 2 m under the camera, and all men should wear a safety helmet.



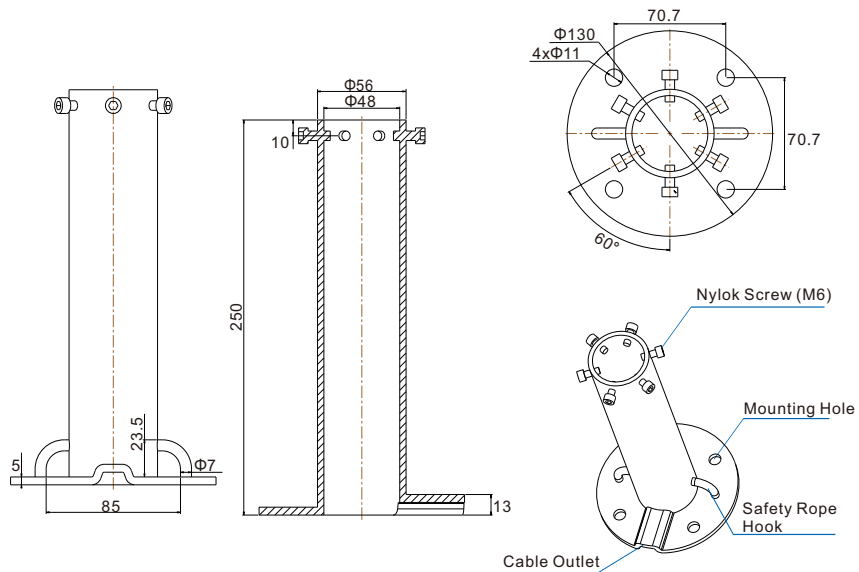
## 2. Installation Method

The camera supports ceiling bracket mount, wall bracket mount and adaptor ring mount.

[Note]: All brackets are optional.

### Ceiling Bracket Mount

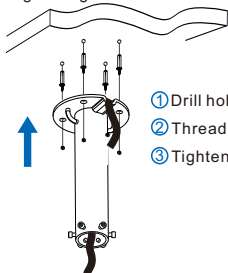
Dimensions of the optional ceiling bracket of this company:



Unit: mm

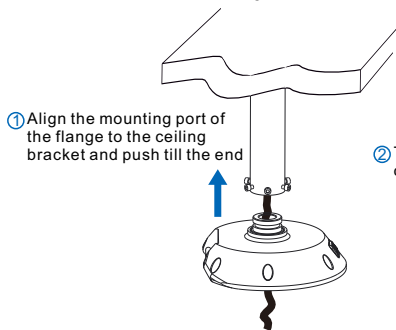
• Installation steps:

- 1) Remove the 6 flange screws of M6 to uninstall the flange from the camera body.
- 2) Mark the installation holes on the ceiling according to the holes on the ceiling bracket, drill 4 holes with depth of 60 mm, and insert the expansion screw anchors (M8) into the holes.
- 3) Thread cables out of the bracket through the cable outlet and reserve a length long enough for connecting to the cables inside the camera.
- 4) Fix the bracket onto the ceiling and tighten the hex nuts.

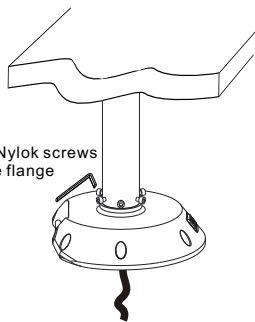


- ① Drill holes and insert expansion screw anchors into the ceiling
- ② Thread cables out of the bracket through the cable outlet
- ③ Tighten the hex screws to fix bracket

- 5) Align the mounting port of the flange to the ceiling bracket and push till the end, and tighten the 6 Nylok screws of M6 on the bracket to fix the flange.



- ① Align the mounting port of the flange to the ceiling bracket and push till the end

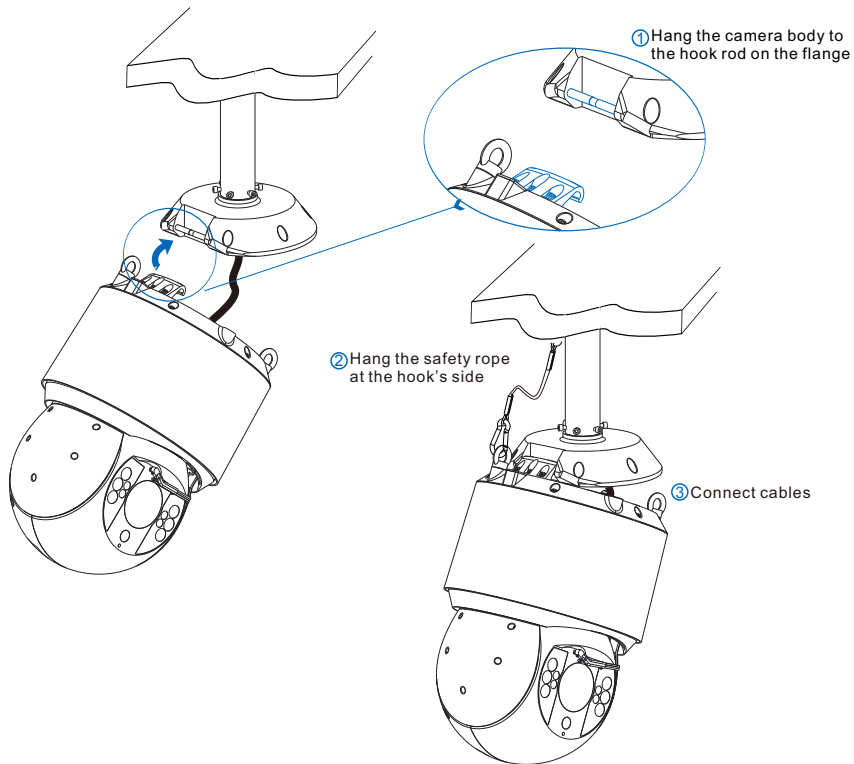


- ② Tighten the 6 Nylok screws of M6 to fix the flange

[Note] To avoid shaking of the camera, please make sure the 6 Nylok screws are tightly fastened.

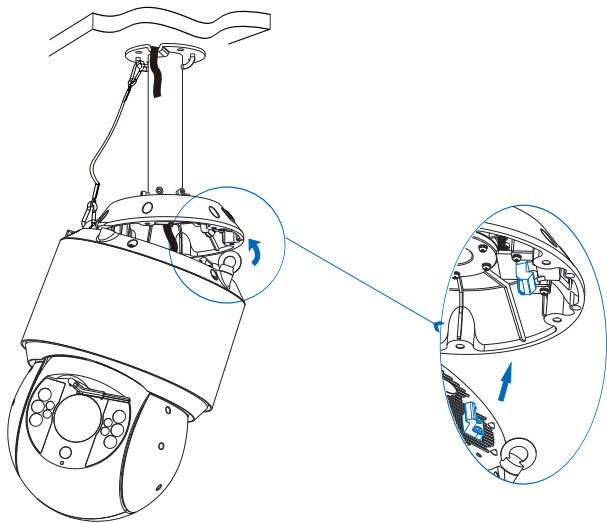


- 6) Hang the camera body to the hook rod on the flange, and hang one end of the safety rope onto the safety rope screw and hang the other end onto the safety rope hook on the ceiling bracket. Connect cables.

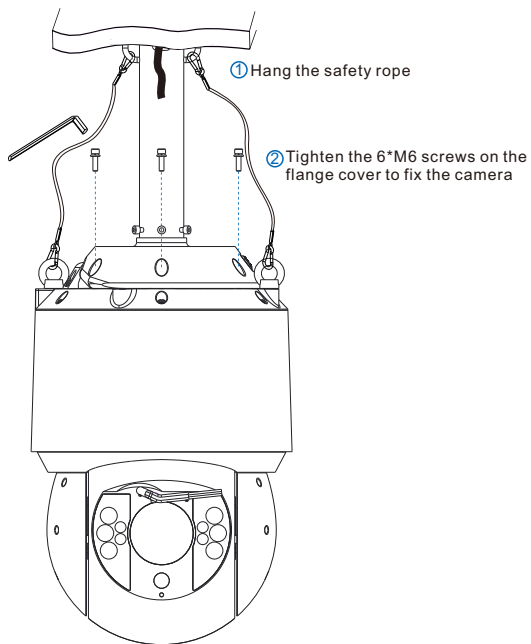


**[Note]** While connecting the tail wires, make good waterproof treatment to them. For operation steps, please refer to the Appendix.

7) Lift the camera body up to lock it with the flange buckle.



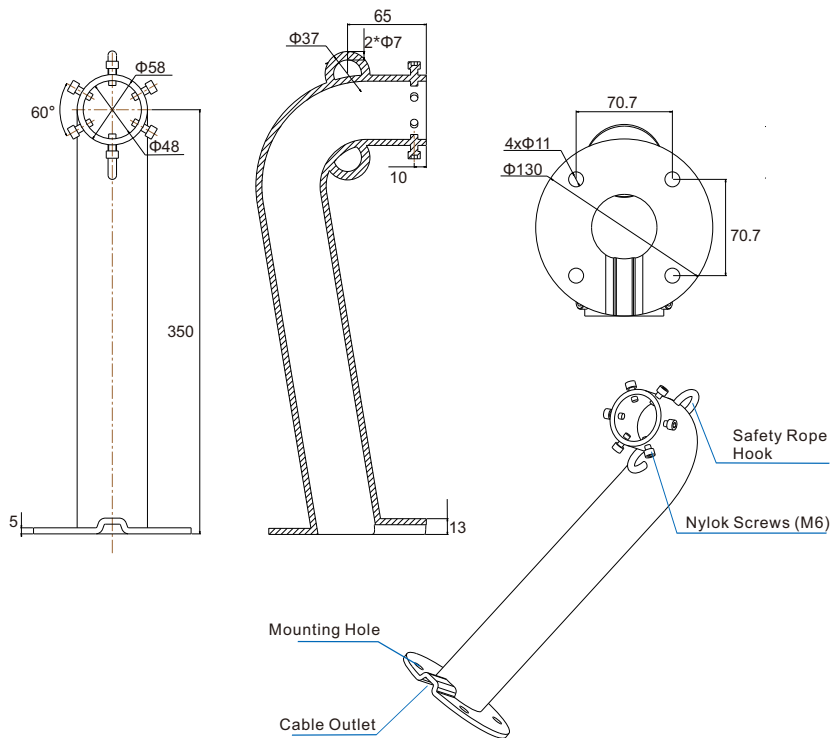
- 8) Hang one end of the safety rope onto the fastening screw on the buckle and the other end onto the safety rope hook on the bracket. Tighten the flange screws to fix the camera.



- 9) After finishing installation, power on the device.

## Wall Bracket Mount

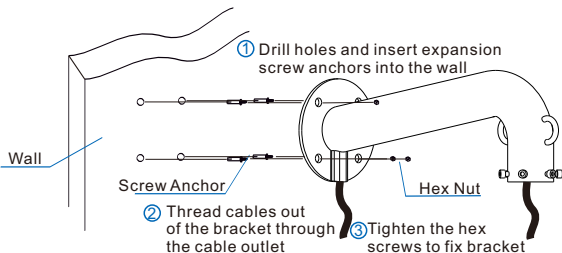
Dimensions of the optional wall bracket of this company:



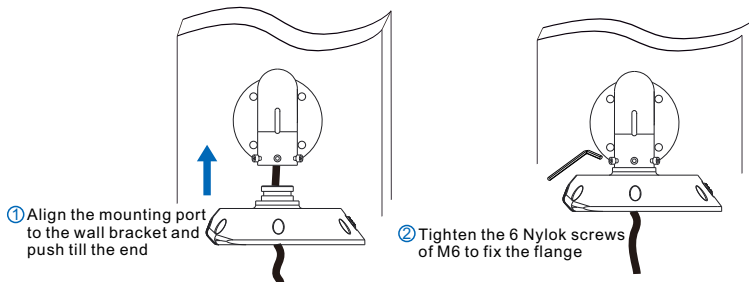
Unit: mm

• Installation steps:

- 1) Remove the 6 flange screws of M6 to uninstall the flange from the camera body.
- 2) Mark the installation holes on the wall according to the holes on the wall bracket, drill 4 holes with depth of 60 mm, and insert the expansion screw anchors (M8) into the holes.
- 3) Thread cables out of the bracket through the cable outlet and reserve a length long enough for connecting to the cables inside the camera.
- 4) Fix the wall bracket onto the wall and tighten the hex nuts.

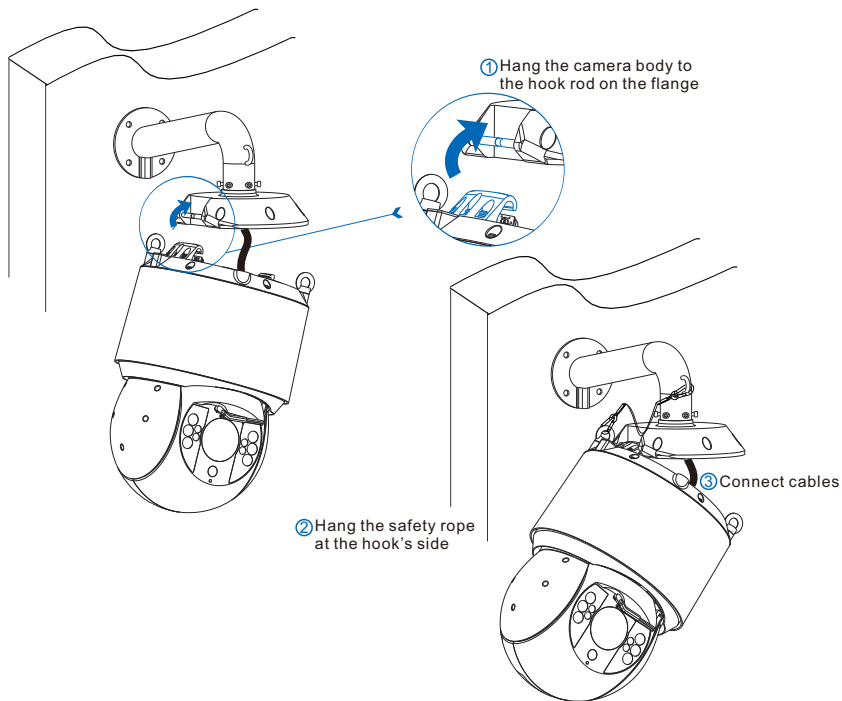


- 5) Align the mounting port to the wall bracket and push till the end, and tighten the 6 Nylok screws of M6 on the wall bracket to fix the flange.



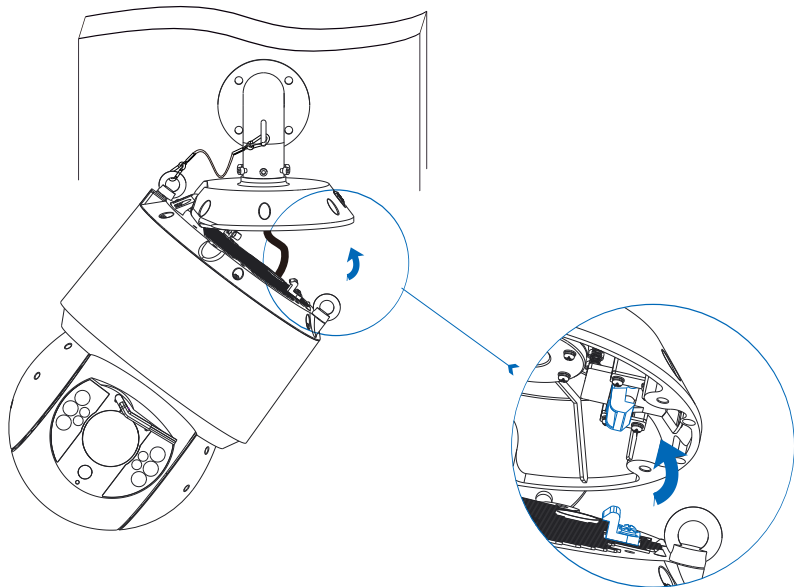
[Note] To avoid shaking of the camera, please make sure the 6 Nylok screws are tightly fastened.

- 6) Hang the camera body to the hook rod on the flange, and hang one end of the safety rope onto the safety rope screw and hang the other end onto the safety rope hook on the wall bracket. Connect cables.

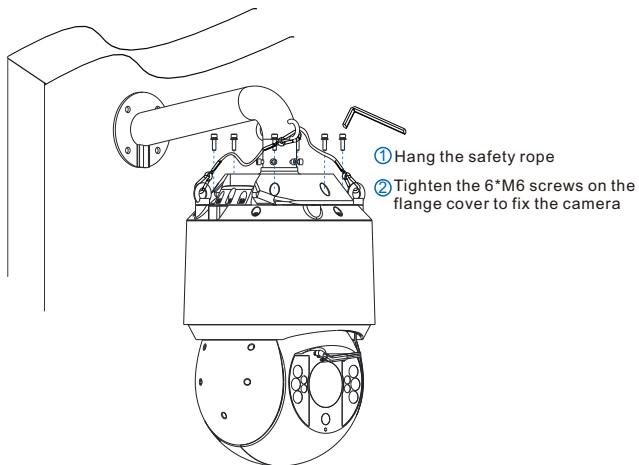


**[Note]** While connecting the tail wires, make good waterproof treatment to them. For operation steps, please refer to the Appendix.

7) Lift the camera body up to lock it with the flange buckle.



- 8) Hang one end of the safety rope onto the fastening screw on the buckle and the other end onto the safety rope hook on the bracket. Tighten the flange screws to fix the camera.

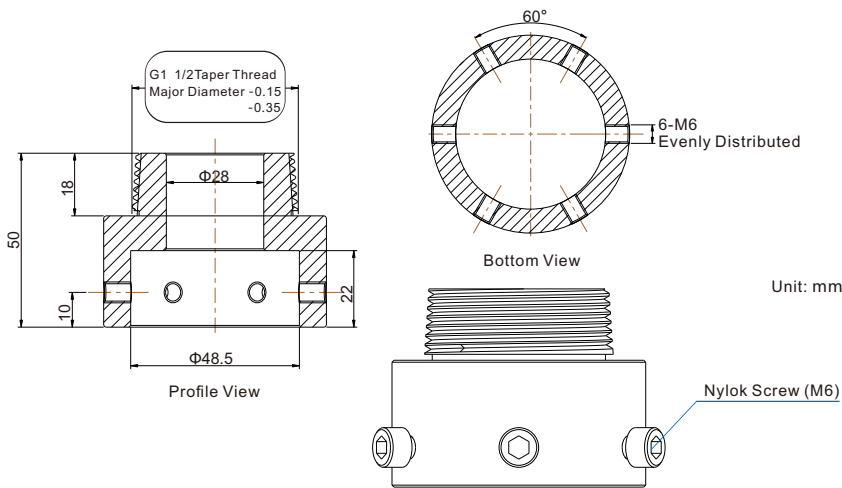


- 9) After finishing installation, power on the device.



## Adaptor Ring Mount

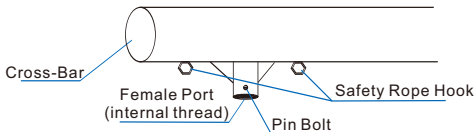
Dimensions of adaptor ring:



The adaptor ring is used when user selects a self-made bracket with internal thread. The following will take a cross-bar as an example.

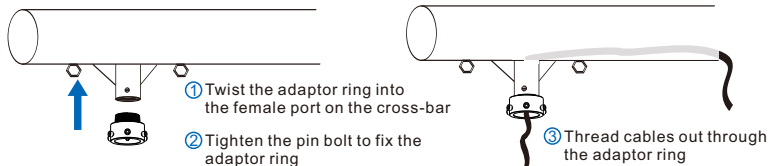
- Installation steps:

- 1) Prepare a cross-bar welded with a female port (internal thread), and mount a pin bolt 8-10 mm from the female port.

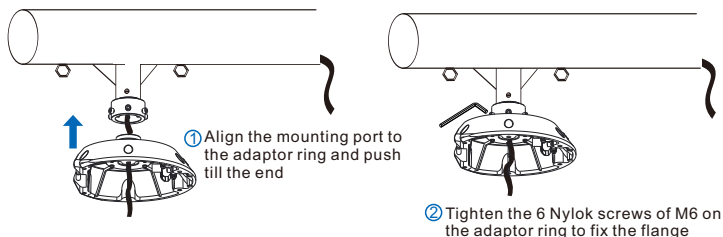


**[Note]** The self-made bracket by user must have a pin bolt and a safety rope hook.

- 2) Twist the adaptor ring into the female port on the cross-bar and tighten the pin bolt to fix the adaptor ring.
- 3) Thread cables out through the adaptor ring and reserve a length long enough for connecting to the cables inside the camera.

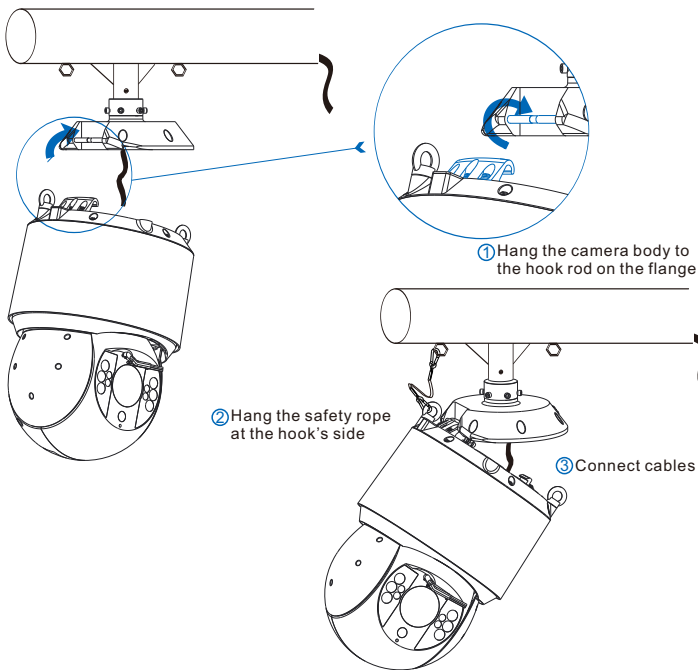


- 4) Remove the 6 flange screws of M6 to uninstall the flange from the camera body.
- 5) Align the mounting port to the adaptor ring and push till the end, and tighten the 6 Nylok screws of M6 on the adaptor ring to fix the flange.



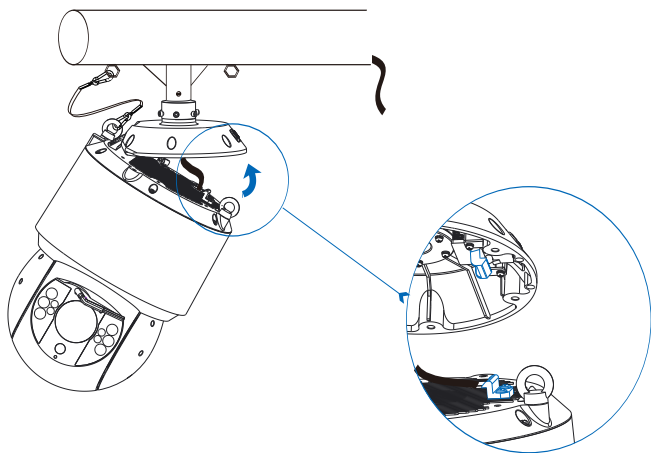
**[Note]** To avoid shaking of the camera, please make sure the 6 Nylok screws are tightly fastened.

- 6) Hang the camera body to the hook rod on the flange, and hang one end of the safety rope onto the safety rope screw and hang the other end onto the safety rope hook on the wall bracket. Connect cables.

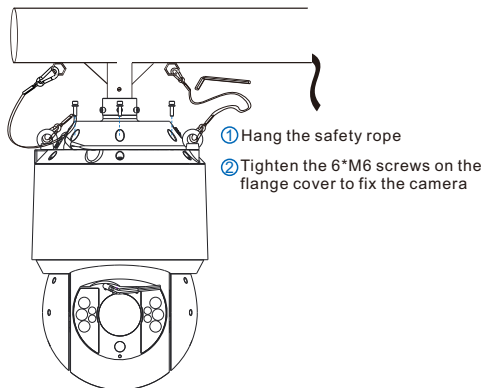


**[Note]** While connecting the tail wires, make good waterproof treatment to them. For operation steps, please refer to the Appendix.

7) Lift the camera body up to lock it with the flange buckle.



- 8) Hang one end of the safety rope onto the fastening screw on the buckle and the other end onto the safety rope hook on the bracket. Tighten the flange screws to fix the camera.



- 9) After finishing installation, power on the device.

## V. Login to the Web Client

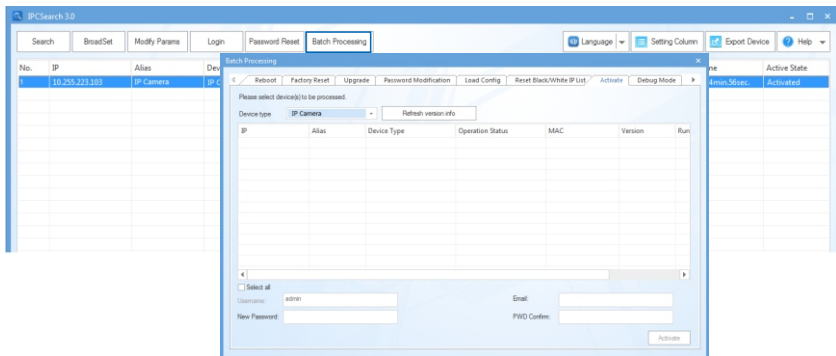
### 1. Minimum system configuration of PC and environment requirements:

- Processor: Intel® CORE™ i5-7500 or other processors with the same or better performance
- Graphics Card: Intel® HD Graphics 630 or other cards with the same or better performance
- RAM Memory: 8GB or above
- Operating System: Windows 7 or later
- Browser (32-bit): Suggest IE kernel browsers, using other browsers may disable some functions of the client
- Webpage Plug-in: Hard decoded plug-in
- DirectX : 9.0c

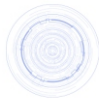
### 2. Device Activation

When using the device for the first time, run IPCSearch and it will search devices in LAN automatically and display the list of device IP address, gateway and etc. If the network provides DHCP service, DHCP server will assign IP for the camera automatically.

- Batch: Select the device and click "**Batch processing**". In the popup interface, set admin user's password and the email address to find back the password. Click "**Activate**" and wait for rebooting.
- Individual: Select the device from IPCSearch and right click to select "**Active**". Fill admin user name and password and the e-mail address to find back the password. Click "**Activate**" and wait for rebooting.
- Web client: the device can also be activated through the web client. Set PC and the device in the same network segment and login to the web. User can set admin password and password reset email on the interface and click "**Activate**".



**Login**



Weak
Strong

Please choose a password with 8-16 characters. Your password must also contain two or more combinations of upper and lowercase letters, numbers, and symbols.



When admin's password gets lost, find it back through this email. Please sure this email address is safe and valid.

Active

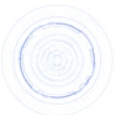
### 3. Modify Device IP Address

Click **"Modify Params"** and set the network parameters. When configuring a static IP for the camera, please check **"Custom device address (Close DHCP)"** and fill the Ethernet parameter. During the modification, the user name (admin) and the password set before activation should be entered. After configuration, the camera will reboot automatically.

### 4. Login to the Device

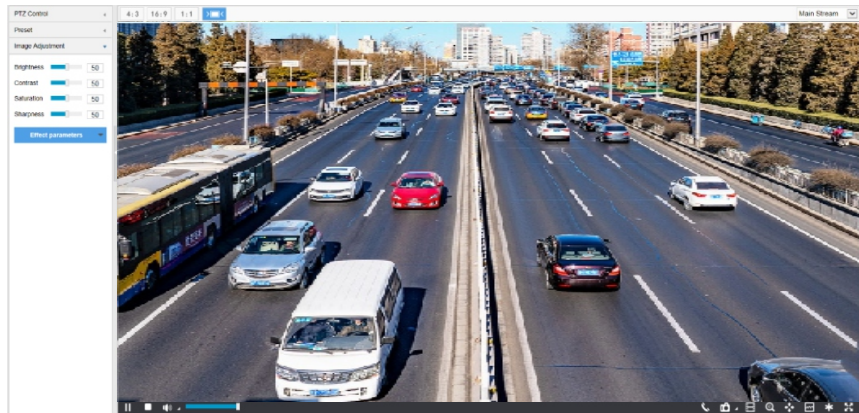
- 1) Double click the device in IPCSearch or click **"Login"**. Enter user name and password to login the web client.
- 2) After login, download and install the plug-in.
- 3) Re-login to the web client and view live video directly.

**Login**



Login

[Note]: Interface of different models may differ. Please subject to the actual products. Please refer to the *Help* file for detailed explanation.





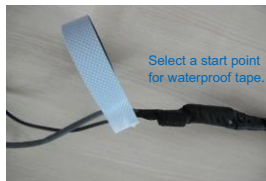
## Appendix I: Waterproof Treatment to the Tail Wires

After the tail wires are connected, make waterproof treatment to them according to the following steps. The following pictures are for reference only.

- 1) Connect the tail wires and make insulation protection over all wires by binding them with insulating tape.



- 2) Select a start point for waterproof tape.



- 3) Make waterproof treatment to the tail wires with waterproof tape.



## Appendix II: DC48V Wire Diameter VS. Transmission Distance

The recommended max transmission distance when the wire diameter is certain and the DC48V voltage loss rate is less than 10%

(For DC48V powered devices, the maximum allowed voltage loss rate is 10%. All the wires in the following table are cooper wires, whose electrical resistivity is  $\rho = 0.0175\Omega \cdot \text{mm}^2/\text{m}$ )

Distance m (feet) Power W	Diameter mm			
	0.8 ( 20AWG )	1.0(18AWG )	1.25(16AWG)	2.0(12AWG )
5	612 (2006)	969 (3179)	1536 (5039)	3905 (12812)
10	306 (1003)	484 (1590)	768 (2520)	1953 (6406)
15	204 (669)	323 (1060)	512 (1680)	1302 (4271)
20	153 (502)	242 (795)	384 (1260)	976 (3203)
25	122 (401)	194 (636)	307 (1008)	781 (2562)
30	102 (334)	162 (530)	256 (840)	651 (2135)
35	87 (287)	138 (454)	219 (720)	558 (1830)
40	76 (251)	121 (397)	192 (630)	488 (1601)
45	68 (223)	108 (353)	171 (560)	434 (1424)
50	61 (201)	97 (318)	154 (504)	391 (1281)
55	56 (182)	88 (289)	140 (458)	355 (1165)
60	51 (168)	81 (265)	128 (420)	325 (1068)
65	47 (154)	75 (245)	118 (388)	300 (986)
70	44 (143)	69 (227)	110 (360)	279 (915)
75	41 (134)	65 (212)	102 (336)	260 (854)
80	38 (125)	61 (199)	96 (315)	244 (801)
85	36 (118)	57 (187)	90 (296)	230 (754)
90	34 (111)	54 (177)	85 (280)	217 (712)
95	32 (106)	51 (167)	81 (265)	206 (674)
100	31 (100)	48 (159)	77 (252)	195 (641)

[Note] The requirements of diameter apply to single, solid and round cooper wire. The AWG value of multi-stranded wires depends on the total CSA (Cross Sectional Area) of all wires.

## Appendix III: AC 24V Wire Diameter VS. Transmission Distance

The recommended max transmission distance when the wire diameter is certain and the AC24V voltage loss rate is less than 10%

(For AC24V powered devices, the maximum allowed voltage loss rate is 10%. All the wires in the following table are cooper wires, whose electrical resistivity is  $\rho = 0.0175\Omega \cdot \text{mm}^2/\text{m}$ )

Distance m (feet) Power W	Diameter mm 0.8 ( 20AWG )	1.0(18AWG )	1.25(16AWG)	2.0(12AWG )
5	122 ( 401 )	194 ( 636 )	307 ( 1008 )	781 ( 2562 )
10	61 ( 201 )	97 ( 318 )	154 ( 504 )	391 ( 1281 )
15	41 ( 134 )	65 ( 212 )	102 ( 336 )	260 ( 854 )
20	31 ( 100 )	48 ( 159 )	77 ( 252 )	195 ( 641 )
25	24 ( 80 )	39 ( 127 )	61 ( 202 )	156 ( 512 )
30	20 ( 67 )	32 ( 106 )	51 ( 168 )	130 ( 427 )
35	17 ( 57 )	28 ( 91 )	44 ( 144 )	112 ( 366 )
40	15 ( 50 )	24 ( 79 )	38 ( 126 )	98 ( 320 )
45	14 ( 45 )	22 ( 71 )	34 ( 112 )	87 ( 285 )
50	12 ( 40 )	19 ( 64 )	31 ( 101 )	78 ( 256 )
55	11 ( 36 )	18 ( 58 )	28 ( 92 )	71 ( 233 )
60	10 ( 33 )	16 ( 53 )	26 ( 84 )	65 ( 214 )
65	9 ( 31 )	15 ( 49 )	24 ( 78 )	60 ( 197 )
70	9 ( 29 )	14 ( 45 )	22 ( 72 )	56 ( 183 )
75	8 ( 27 )	13 ( 42 )	20 ( 67 )	52 ( 171 )
80	8 ( 25 )	12 ( 40 )	19 ( 63 )	49 ( 160 )
85	7 ( 23 )	11 ( 37 )	18 ( 59 )	46 ( 151 )
90	7 ( 22 )	11 ( 35 )	17 ( 56 )	43 ( 142 )
95	6 ( 21 )	10 ( 33 )	16 ( 53 )	41 ( 135 )
100	6 ( 20 )	10 ( 32 )	15 ( 50 )	39 ( 128 )

**[Note]:** The requirements of diameter apply to single, solid and round cooper wire. The AWG value of multi-stranded wires depends on the total CSA (Cross Sectional Area) of all wires.

## **Kedacom Two (2) Year Limited Hardware Warranty**

### **WHAT IS COVERED BY THIS WARRANTY?**

Kedacom warrants the Kedacom-branded hardware product and accessories contained in the original packaging (hereinafter referred to as "Kedacom Product") against defects in materials and workmanship when used normally in accordance with Kedacom's published guidelines for a period of TWO (2) YEARS from the date of original retail purchase in areas other than mainland China by the end-user purchaser (hereinafter referred to as "Warranty Period"). For the Kedacom Product purchased in mainland China, see the simplified Chinese version of this warranty for details. Kedacom's published guidelines include but are not limited to information contained in technical specifications, user guides, and service communications. The preceding applies unless otherwise agreed in the contract.

### **WHAT IS NOT COVERED BY THIS WARRANTY?**

This warranty does not apply to any non-Kedacom branded hardware products or any software, even if packaged or sold with Kedacom hardware. Manufacturers, suppliers, or publishers, other than Kedacom, may provide their own warranties to you but Kedacom, in so far as permitted by law, provides their products "AS IS". Software distributed by Kedacom with or without the Kedacom brand (including, but not limited to system software) is not covered by this warranty. Please refer to the licensing agreement accompanying the software for details of your rights with respect to its use. Kedacom does not warrant that the operation of the Kedacom Product will be uninterrupted or error-free. Kedacom is not responsible for damage arising from failures to follow instructions relating to the Kedacom Product's use.

This warranty does not apply: (a) to consumable parts, such as batteries, unless failure has occurred due to a defect in materials or workmanship; (b) to cosmetic damage, including but not limited to scratches, dents, and broken plastic on ports; (c) to damage caused by use with another product; (d) to damage caused by acts outside the control of Kedacom, including without limitation acts of God, accidents, abuse, misuse, fire, storms, earthquakes, flood, or other external cause; (e) to damage caused by exposure of the product to heat, bright light, sun, liquids, sand, or other contaminants; (f) to damage caused by operating the Kedacom Product outside Kedacom's published guidelines; (g) to damage caused by service (including upgrades and expansions) performed by anyone other than a representative of Kedacom, Kedacom employee, or authorized Kedacom agent; (h) to an Kedacom Product that has been modified to alter functionality or capability without the written permission of Kedacom; (i) to defects caused by normal wear and tear or otherwise due to the normal aging of the Kedacom Product, or (j) if any serial number has been removed or defaced from the Kedacom Product.

### **YOUR RESPONSIBILITIES**

If your Kedacom product is capable of storing data and other information, you should make periodic backup copies of the information contained on the storage media to protect the contents and as a precaution against possible operational failures.

Before receiving warranty service, Kedacom or its authorized agents may require that you furnish proof of purchase details, respond to questions designed to assist with diagnosing potential issues, and follow Kedacom's procedures for obtaining warranty service. Before submitting your Kedacom Product for warranty service, you should maintain a separate backup copy of the contents of its storage media, remove all personal information that you want to protect, and disable all security passwords.

During warranty service, it is possible that the contents of the Kedacom product's storage media will be lost, replaced or reformatted. In such an event, Kedacom and its authorized agents are not responsible for any loss of data or other information contained on the storage media or any other part of the Kedacom product serviced.

Following warranty service, your Kedacom Product or a replacement product will be returned to you as your Kedacom Product was configured when originally purchased, subject to applicable updates. You will be responsible for reinstalling all other data and information. Recovery and reinstallation of other data and information are not covered under this warranty.

### **WHAT WILL KEDACOM DO IF THE WARRANTY IS BREACHED?**

If during the Warranty Period, you submit a valid claim to Kedacom or an authorized Kedacom agent, Kedacom will, at its option, (i) repair the Kedacom Product using new or previously used parts that are equivalent to new in performance and reliability, or (ii) exchange the Kedacom Product for a refund of your purchase price.

A Kedacom replacement part or product, including a user-installable Kedacom part that has been installed in accordance with instructions provided by Kedacom, assumes the remaining warranty of the Kedacom Product or ninety (90) days from the date of replacement or repair, whichever provides longer coverage for you. When a product or part is replaced or a refund provided, any replacement item becomes your property and the replaced or refunded item becomes Kedacom's property. Kedacom reserves the right to refund the purchase price as its exclusive warranty remedy.

### **HOW TO OBTAIN WARRANTY SERVICE?**

To seek warranty service, please contact a local authorized Kedacom agent. When contacting the agent via telephone, other charges may apply depending on your location.

### **User Information**

Complete the form below and keep for ready reference.

User Name:	
Address:	Postal Code:
Tel:	Mobile:
Fax:	E-Mail:
Product Name:	Product Model:
Date of Purchase:	





客户咨询热线：400-828-2866

**KEDACOM**

苏州科达科技股份有限公司

Suzhou Keda Technology Co.,Ltd.

中国: 江苏省苏州市高新区金山路131号(215011)

Tel: +86-512-6841 8188 Fax: 86-512-68412699

Suzhou Keda Technology Co.,Ltd.

Singapore: 627A Aljunied Road, #09-07, BizTech Centre, Singapore 389842

Tel: +65-6842-5700 Fax: +65-6842-5900

05.03.800937 (V1.1) 20200511